

*Cleaning
Equipment*



portotecnica

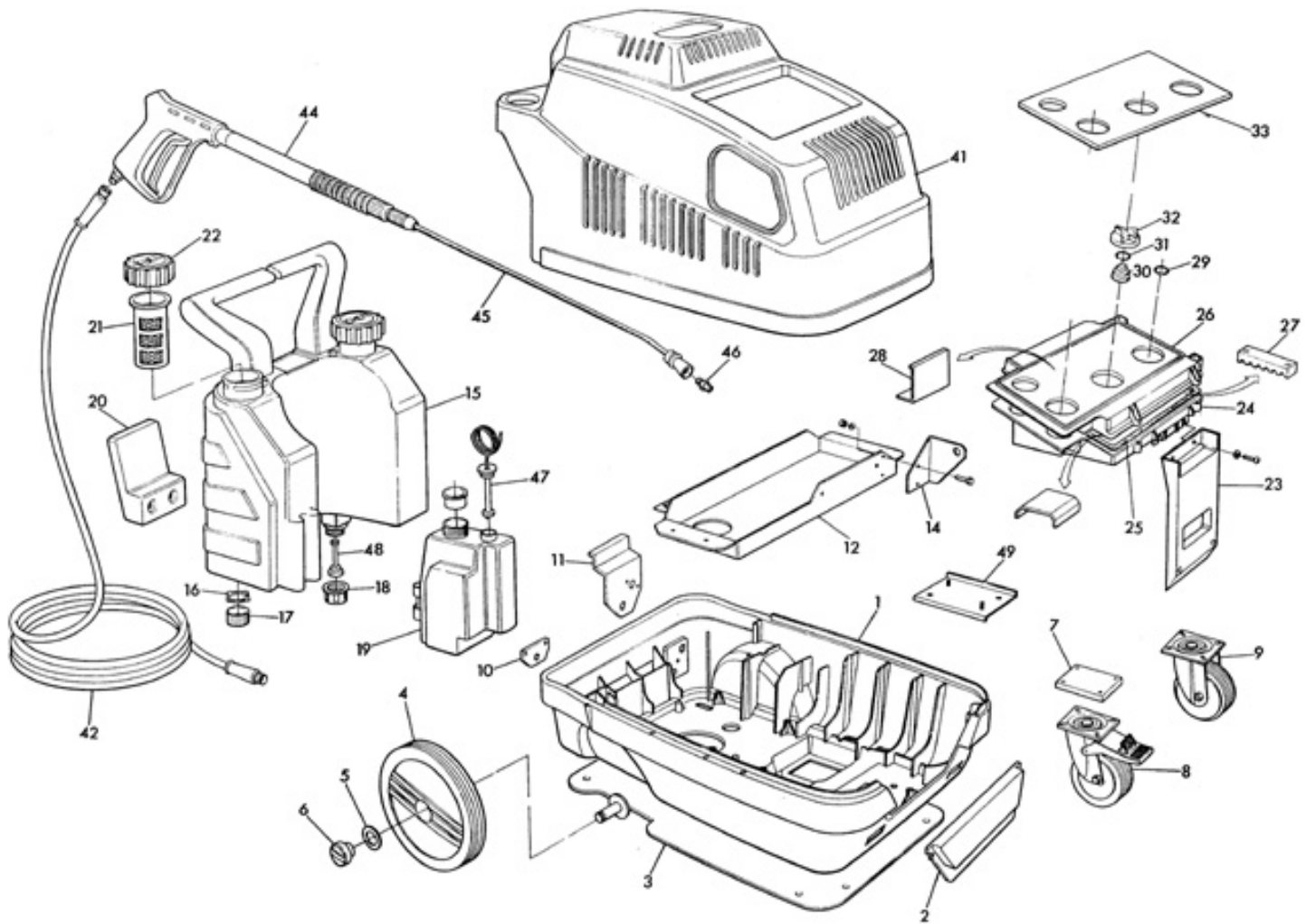
www.portotecnica.com

Spare Parts List

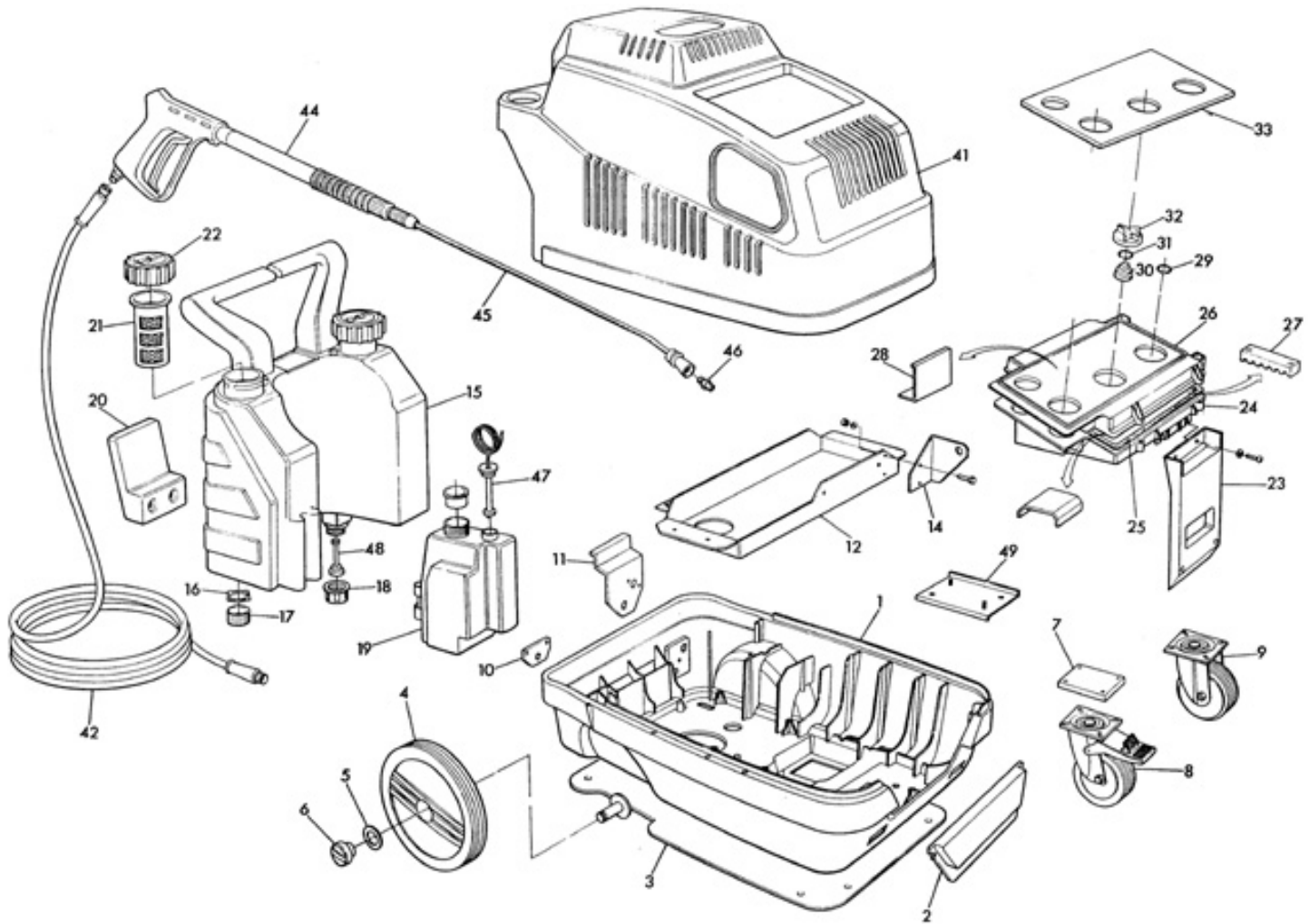
SAMWOO CORPORATION

Ref: IDAC44726

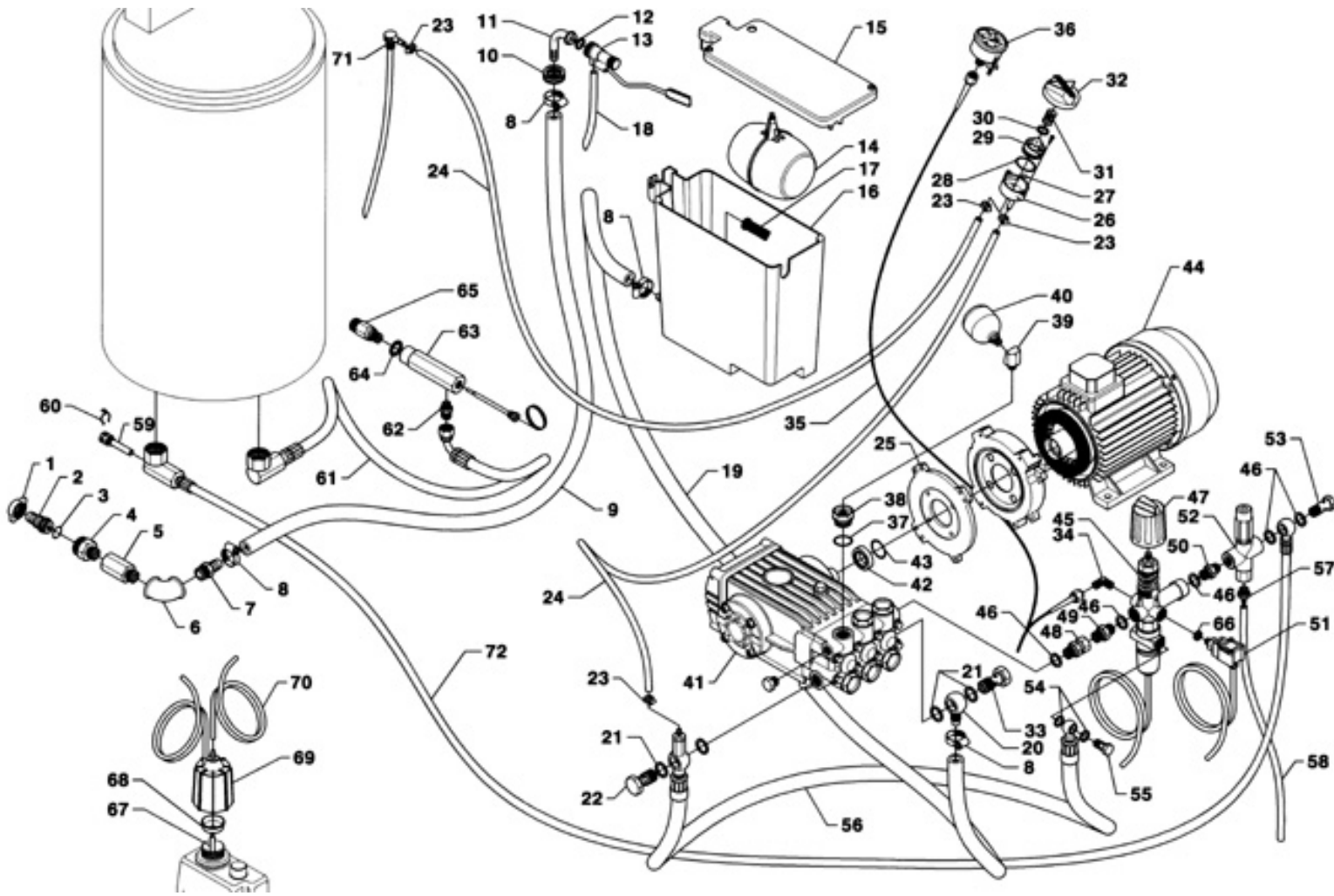
Model: IDROP MISTRAL P.DS 2960 T 380/60 3-01P60



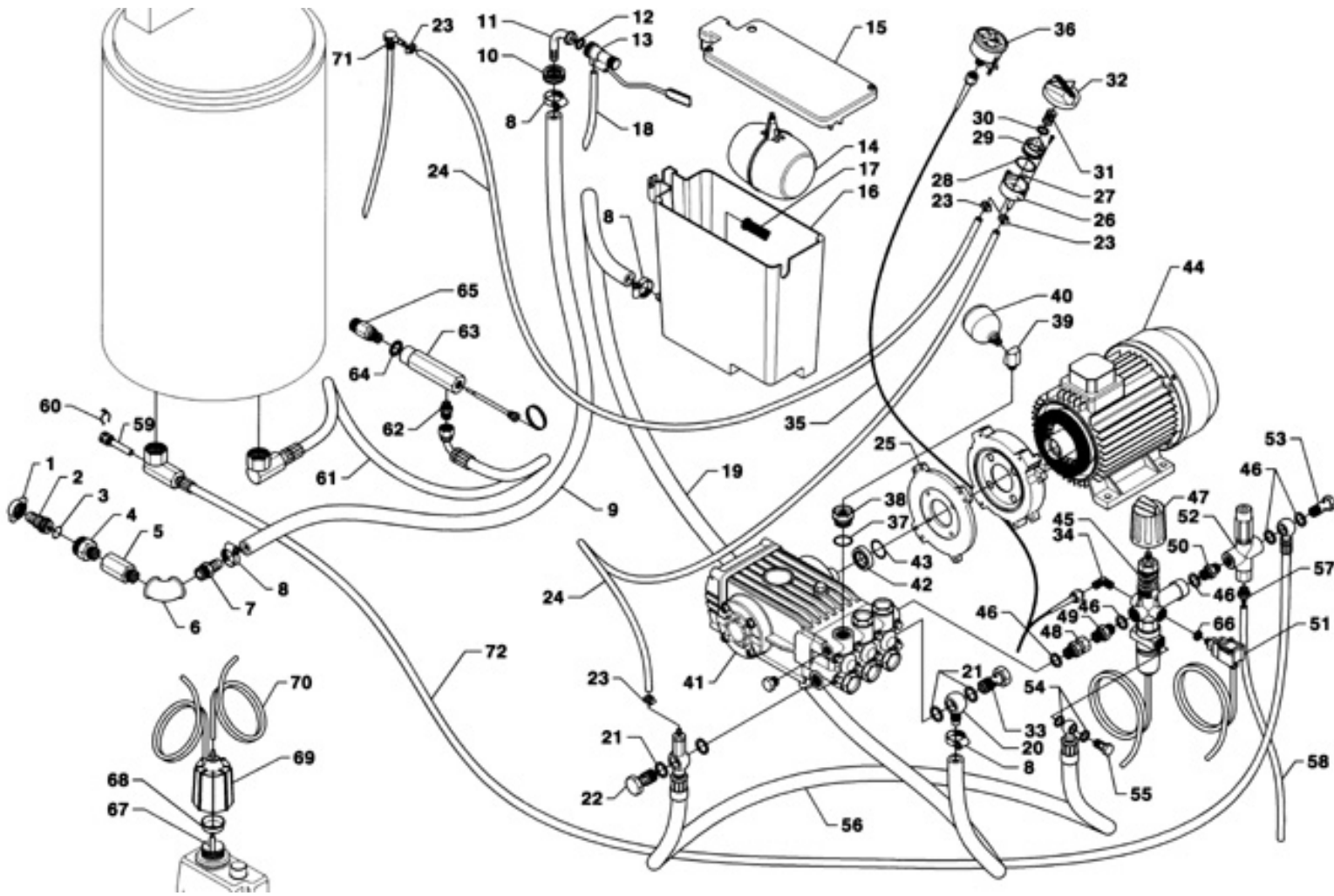
Ref. K	Part N.	Customer Part N.	Description	Qty	Validity:	
					From	To
0001	MPVR33490		CHASSIS MISTRAL PP	1,00		
0002	MPVR34168		THROTTLE MISTRAL PP	1,00		
0003	LAFN33489		SUPPORT MST	1,00		
0004	RTRT25002		WHEEL D.300-D.25 RSS	2,00		
0005	VTRS09813		WASHER D.25	2,00		
0006	MPVR11763		RED CAP D.42	2,00		
0008	RTRT25520		TURNING WHEEL D.150 P+FR. MZ.PL.	1,00		
0009	RTRT25519		TURNING WHEEL D.150 P-MZ.PL.	1,00		
0010	LAFN34637		SUPPORT MST	1,00		
0011	LAFN34052		SUPPORT MST	1,00		
0012	LAFN40508		MOTOR PLATE MST S/BLC.	1,00	02/1999	
0014	LAFN33976		FILTER BRACKET MST SP.	1,00		
0015	MPVR37512		FUEL TANK MISTR.DS/GT.	1,00		
0016	GUGO11489		GASKET D.22X1,5	2,00		
0017	PVVR11806		DISCHARGE CAP FLL	2,00		
0018	LAFN34356		RING NUT M 39X3 MST.G	1,00		
0019	MPVR20903		TANK KSM	1,00		
0020	LAFN20105		HOSE SUPPORT KSM	1,00		
0021	FTCO17698		FILTER 121X54	2,00		
0022	MPVR20418		TANK CAP KSM	2,00		
0023	MPVR33534		BOX SUPPORT MST PA 66	2,00		
0024	MPVR33248		CONTROL BOX MISTRAL PP	1,00		
0025	GUGO11309		JOINT MOUSSE D. 3	1,20		
0026	MPVR33249		BOX COVER MISTRAL	1,00		
0027	MPVR33250		CABLE CLAMP COVMISTRAL	1,00		
0028	LAFN34423		SUPPORT BRACKETMST.S-P	1,00		
0029	GUGO25527		O-RING D. 14 X 3 NBR 70SH	1,00		
0030	MPVR23482		TAIL PIECE TEC. TUV	1,00		
0030	MPVR23484		TAIL PIECE THERM.KSM TUV	1,00		
0031	GUGO23079		V-SEAL RING VA0014 13.5- 15.5	1,00		
0032	MPVR20190		GREY KNOB KSM	3,00		
0033	ETET40687		LABEL MST PR.II DS PLC	1,00		
0041	MPVR33318		RED COVER MISTRAL PP	1,00		
0042	TBAP16656		H.P. HOSE R2 MT 15 5/16 IRV F-SWIV	1,00		
0044	IPPR12973		GRIP ST 2000 - P 330 - M22 M V	1,00		
0045	LCPR12976		EXTENSION P 70	1,00		
0046	UGLN03327		NOZZLE 1/4 25045	1,00		
0047	MECI34444		SWITCH REED N.C.H185 L=1300	1,00		
0048	MECI34446		SWITCH REED N.A.H115	1,00		



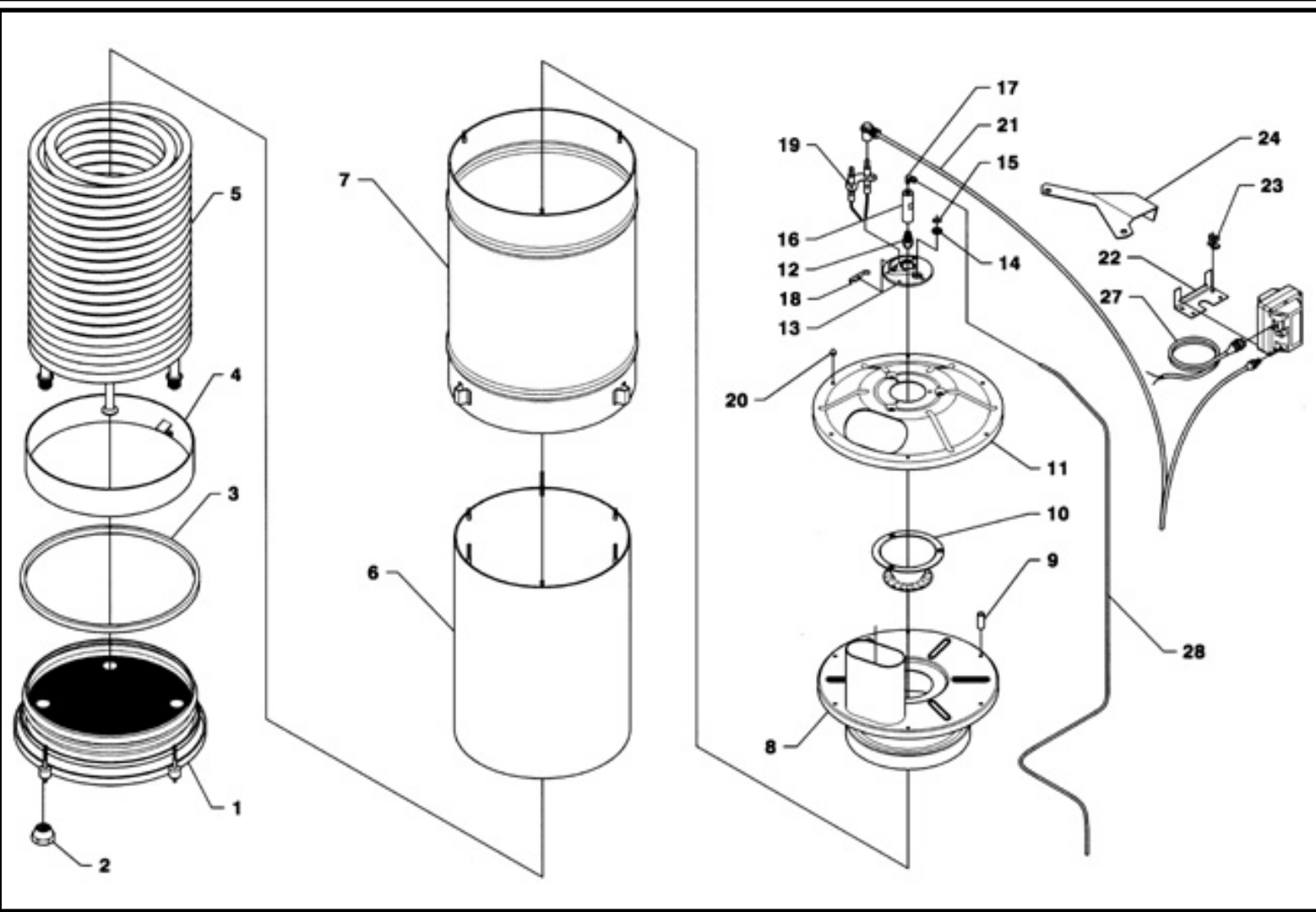
Ref. K	Part N.	Customer Part N.	Description	Qty	Validity:	
					From	To
0049	LAFN35778		B.TANK BRACKET MST INX	1,00		
0051	LAFN40224		PLATE MST	1,00	10/1998	
9999	KTRI16996		KIT P 33- 1	1,00		



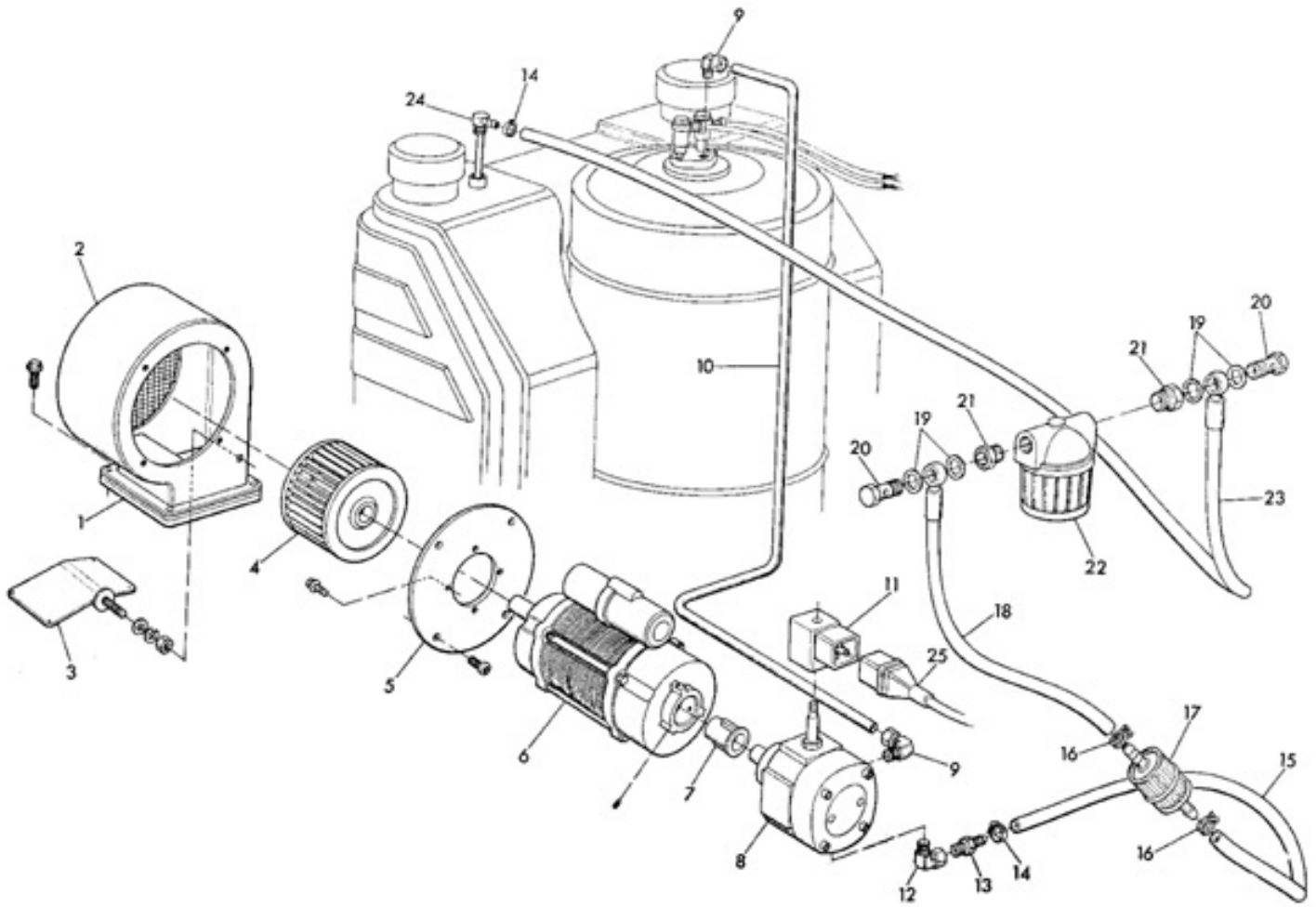
Ref. K	Part N.	Customer Part N.	Description	Qty	Validity: From	To
0001	RCDS09316		CONNECTION G. 3/4	1,00		
0002	RCDS08965		HOSE FITTING OTT.	1,00		
0003	GUGO01054		O-RING D. 15.08 X 2.62 NBR 70SH	1,00		
0004	RCDS35797		NIPPLE 3/4 - 1/2 OTT MST	1,00		
0005	RCDS17206		SLEEVE 1/2 M/F L= 50-65	1,00		
0006	RCVR00578		ELBOW 1/2" F	1,00		
0007	RCDS02689		HOSE FITTING 1/2 M D.12-16	1,00		
0009	TBBP00055		L.P. HOSE D.15-23 10BAR AYTOK.	0,62		
0010	RCDS10356		RING NUT FUT	1,00		
0011	RCDS10357		HOSE FITTING FUT 90°	1,00		
0013	RCGR10358		TAP UG. D. 7	1,00		
0014	RCGR01387		PLASITC BALL D.104	1,00		
0015	MPVR10353		TANK COVER FUT PAD	1,00		
0016	MPVR22117		WATER TANK FUT + F 18LT	1,00		
0017	FTDT21315		FILTER D.20X45 18LT	1,00		
0018	TBBP17436		L.P. HOSE D.12-14 RILSAN NT.	0,17		
0019	TBBP15656		L.P. HOSE D.16-26 20BAR	1,45		
0020	RCDS16544		CONNECTOR O. 1/2 - 9.5-16	1,00		
0021	VTRS12491		WASHER 1/2	4,00		
0022	RCDS16328		SCREW G 1/2 D.8	1,00		
0023	FSVR15255		CLAMP D. 8-12	6,00		
0024	TBBP00051		DETERGENT HOSE D. 6-12	1,40	12/1999	
0025	MFVR21735		COUNTERFLANGE MEC 112 2.V	1,00		
0026	RCGR08069		TAP BODY DET. PRT	1,00		
0027	GUGO08071		O-RING D. 4.48 X 1.78 NBR 70SH	1,00		
0028	GUGO12183		O-RING D. 23.4 X 3.53 VIT 70SH	1,00		
0029	RCGR08070		ADJUSTER PRT	1,00		
0030	VTRS00542		WASHER D.14X20	1,00		
0031	MLML08068		SPRING D.1,5 L.23	1,00		
0032	MPVR20190		GREY KNOB KSM	1,00		
0033	RCDS33982		SCREW 1/2 C/SC. L=41.5 D.13.5	1,00		
0034	RCVR12430		ELBOW 1/4" M/M A15	1,00		
0035	TBAP04437		POLYAMIDE HOSE L=420 1/4-1/4 F-F	1,00		
0036	MNMN07992		PRESSURE GAUGE 0-250 D.50	1,00		
0037	GUGO01033		O-RING D. 20.24 X 2.62 NBR 90SH	1,00		
0038	RCDS08626		CAP M24X2X16 + 1/4F INX	1,00		
0039	RCDS13818		SLEEVE 1/4-M14X1.5 M/F	1,00	10/1999	
0040	ACID08195		COMPRESSED AIR M 14X1.5 30BAR	1,00	02/1999	
0041	PPAP10418		PUMP W 913 DX LT 15 USA	1,00	06/2002	



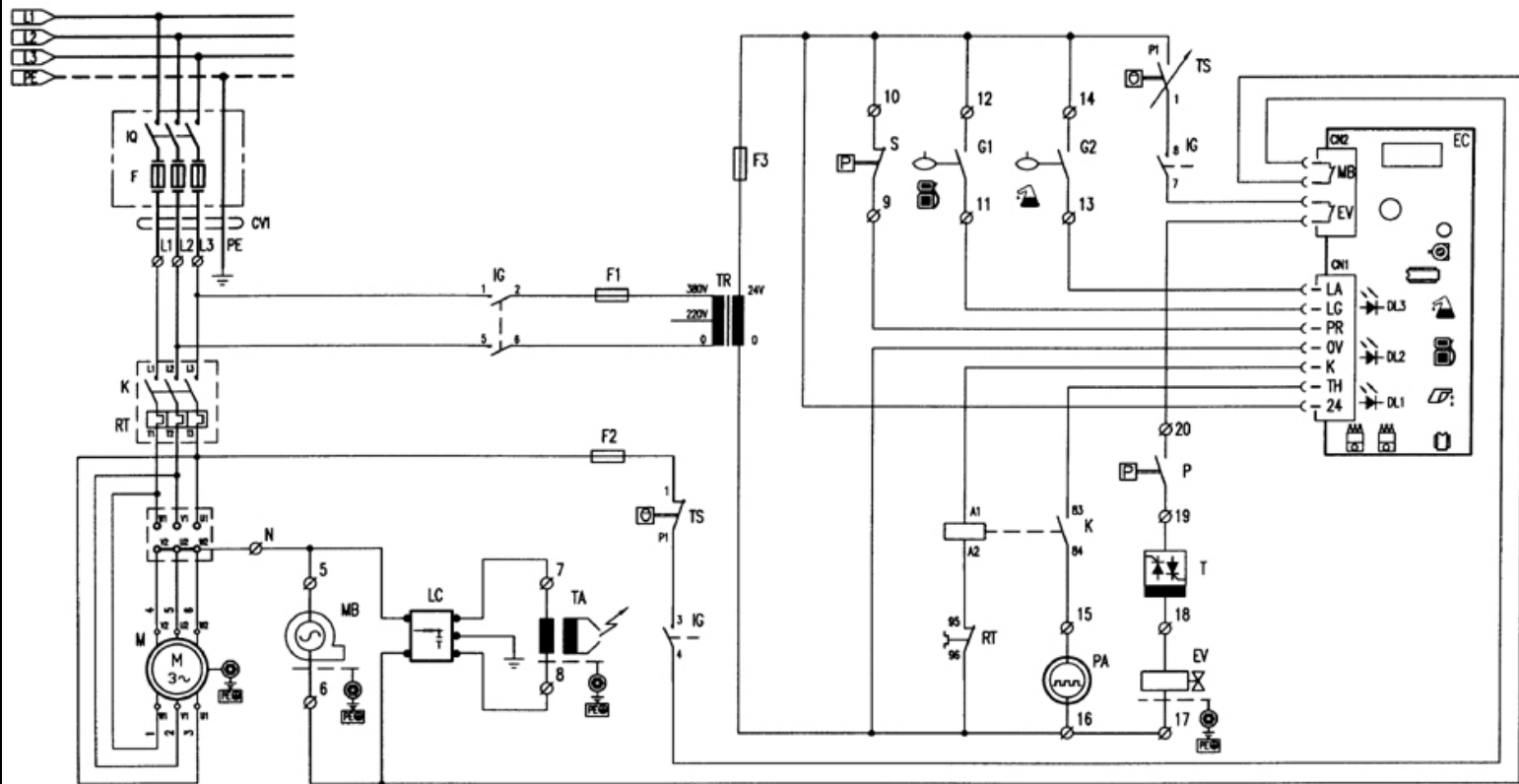
Ref.	K	Part N.	Customer Part N.	Description	Qty	Validity:	
						From	To
0041		PPAP44090		PUMP W 921 DX USA V.	1,00	03/2001	06/2002
0042		RCDS34756		BUSHING IP W15 OT	1,00		
0043		GUGO42285		O-RING D. 35 X 2.5 VIT.70SH	1,00	11/1999	
0044		MOTR21865		3PH MOTOR HP7.5 220-380/60 - CU.	1,00		
0045		VVAZ15529		VALVE ST 261 - SWITCH	1,00		
0046		VTRS12492		WASHER 3/8	5,00	06/2001	
0047		MPVR09436		BLACK KNOB ST 260	1,00		
0048		RCVR00563		SWIVEL RACCORD 3/8 M/F	1,00		
0049		RCDS00610		NIPPLE 3/8 - 3/8 SV	1,00		
0050		RCDS12121		NIPPLE 3/8 - 3/8 SV/CN	1,00	02/1999	
0051		MEPF39902		PRESSURE SWITCHMTM 1/4M NA/NC 25B. MICRO	1,00		
0052		VVSC40541		VALVE VS 220 2 G3/8 F	1,00	02/1999	
0053		RCDS01371		SCREW G 3/8 A.P.	1,00	06/2001	
0054		VTRS12821		WASHER D.14X21,5X1	2,00		
0055		RCDS02612		SCREW G 1/4 A.P.	1,00		
0056		TBBP41686		BY-PASS HOSE L=390 1/2+V.NRT-1/4OC 90°	1,00		
0057		RCDS03514		HOSE FITTING 3/8 M D. 5- 7	1,00	02/1999	
0058		TBBP04917		L.P. HOSE D. 6- 9	1,50	06/2001	
0059		RCDS00593		SUMP IM 0-120 L=50	1,00		
0060		MLML02623		SPRING IMT	1,00		
0061		TBAP33971		HOSE-FITTING 3/ 8 L=270 R2 3/8F -1/2P.	1,00		
0062		RCDS34050		NIPPLE 3/8-14X1.5 L=61	1,00		
0063		RCDS34048		BLOC BODY 3/8F MST	1,00		
0064		VTRS22537		WASHER D. 16	1,00		
0065		RCDS13012		NIPPLE M22-3/8 D. 7.5	1,00		
0066		MPVR18582		CAP D.22	1,00		
0067		TBBP11756		L.P. HOSE D. 4- 6 RILSAN NTR	0,24		
0068		MPVR20904		CAP KSM	1,00		
0069		MEPD25575		DESCALING PUMP NME-1 24V CPL.	1,00		
0070		TBBP00058		L.P. HOSE D. 4- 6	1,10		
0071		RCDS20136		SUCTION L= 355 C.	2,00	11/1996	
0072		TBAP40552		HOSE-FITTING 3/ 8 R2 L=880 O3/8-1/2PMG	1,00	06/2001	



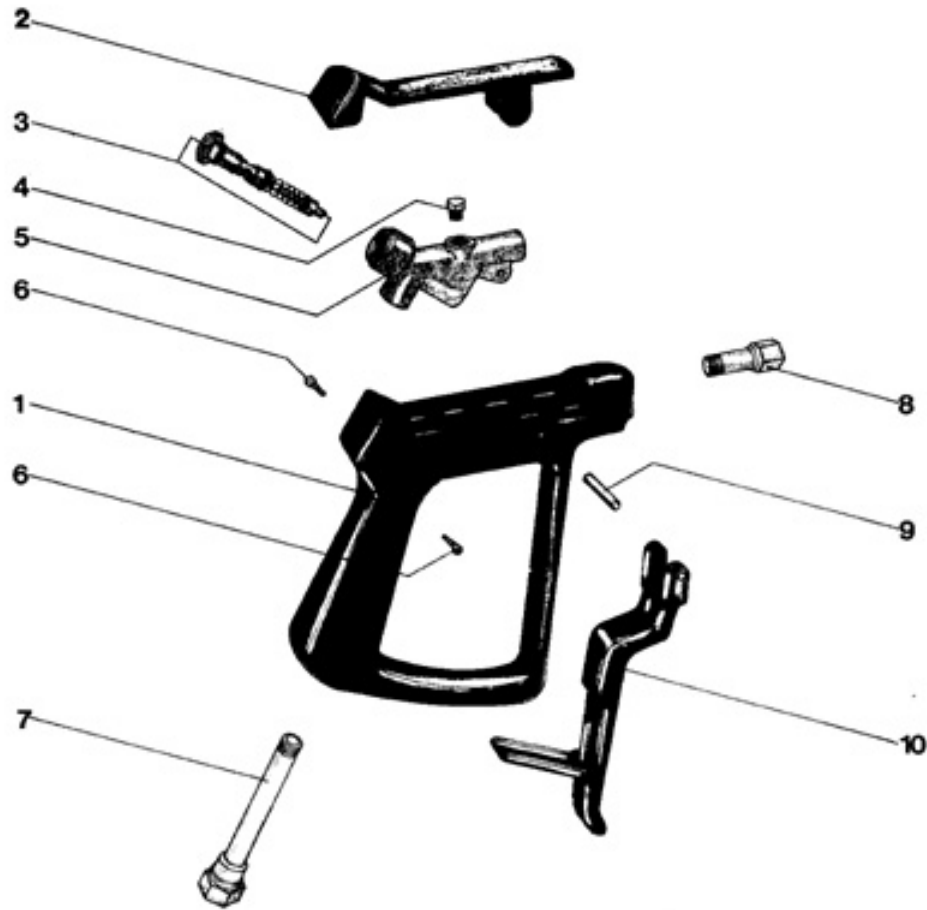
Ref.	K	Part N.	Customer Part N.	Description	Qty	Validity:	
						From	To
0001		LAFN12715		BOILER BOTTOM FUT	1,00		
0002		RCDS00561		RING NUT 1/2 OTT	2,00		
0003		GUVR35205		GASKET D. 7 FIB.	1,02	02/1996	
0004		LAFN11708		METAL STRIP FUT	1,00		
0005		LAFN11329		DOUBLE COIL 3/8 FUTURA 200	1,00		
0006		LAFN07969		INT. CYLINDER FUT INX	1,00		
0007		LAFN07674		EXT. CYLINDER FUT INX	1,00		
0008		LAFN42581		BOILER COVER SIMST INX	1,00	07/2000	
0009		LAFN09096		SPACER 10X28,5	3,00		
0010		LAFN08042		BAFFLE FUT	1,00		
0011		LAFN07676		BOILER COVER SEFUT INX	1,00		
0012		UGBR22576		BURNER NOZZLE 1.35 60 S	1,00		
0013		MFVR18226		ELECTR.HOLDER FUT 3°V	1,00		
0014		MPVR18228		OIL WARN-LIGHT D.17 X3	1,00		
0015		VTAE22633		SEEGER 0.4 X18,30X10,5	1,00		
0016		RCDS07642		NOZZLE HOLDER FUT	1,00		
0017		RCVR08954		ELBOW 1/8"-4 B5	1,00		
0018		LAFN07641		PLATE INX	1,00		
0019		MECA12525		ELECTRODE FUT	1,00		
0020		VTDD05907		NUT M 6 CIE.	6,00		
0021		MECV35334		CABLE A.T. 9,8-23KOHM/M L= 400P	2,00		
0022		LAFN33974		SUPPORT BRACKETMST	1,00		
0023		MEVR15389		CLIP F-0201	1,00		
0024		LAFN34806		BRACKET MST 30MT	1,00		
0027		MECB34463		CABLE BT L=800 SP.	1,00		



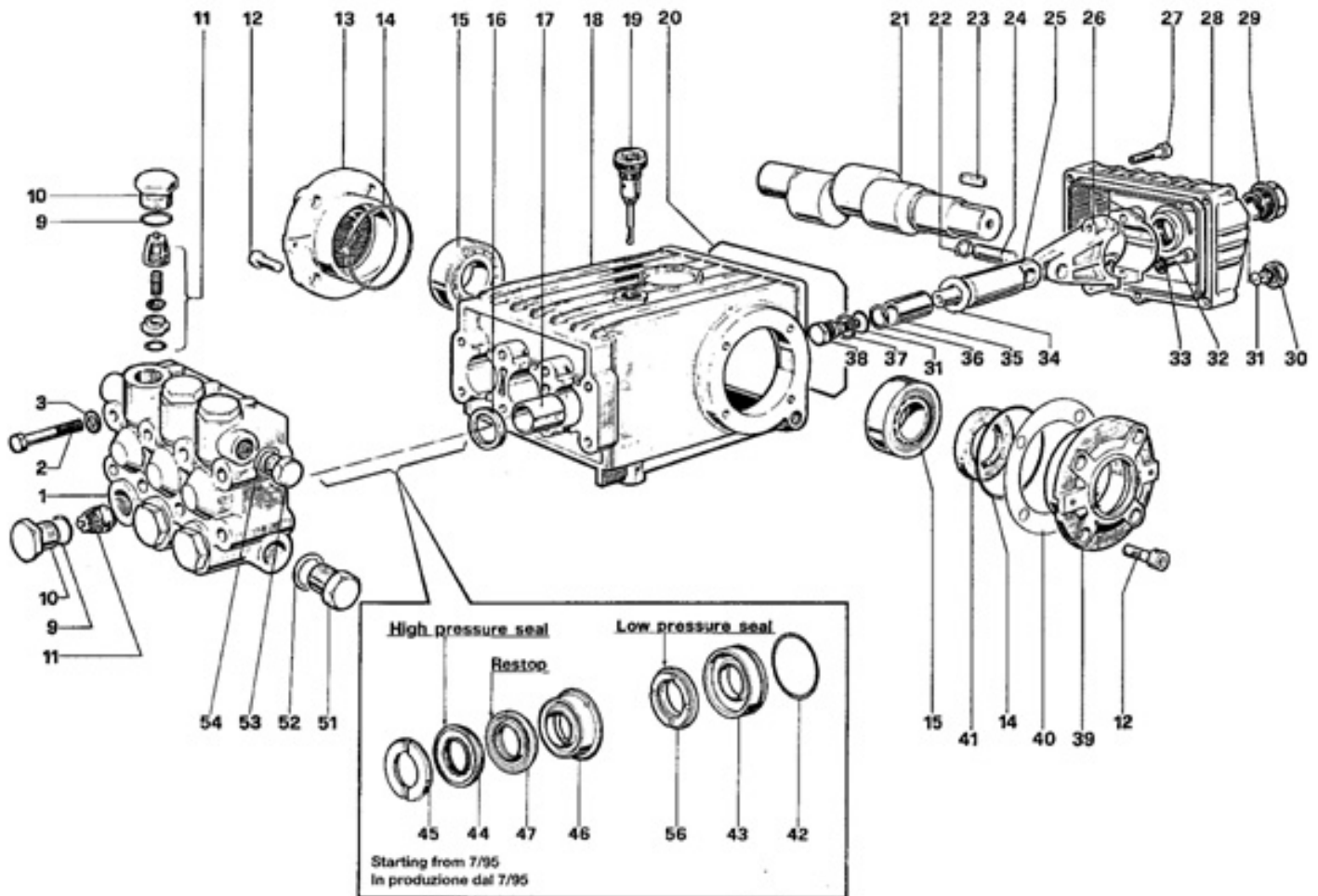
Ref. K	Part N.	Customer Part N.	Description	Qty	Validity:	
					From	To
0001	GUGO11214		GASKET FLL	1,00		
0002	LAFN33967		SCROLL CB4 -MST	1,00		
0003	LAFN11160		BUTTERFLY VALVEFLL	1,00		
0004	VEVR34275		IMPELLER D.160-80 D.12.7 36P B.SX	1,00		
0005	LAFN10272		MOTOR PLATE CB 3	1,00	04/2000	
0006	MOMB35727		BURNER MOTOR 230-60 IP44 200W A.OR	1,00		
0007	KTRI36516		KIT P 18- 9	1,00		
0008	PPGS40117		FUEL PUMP DLT VM1LR15	1,00	09/1998	
0009	RCVR08954		ELBOW 1/8"-4 B5	1,00		
0010	TBCO33977		DIESEL HOSE MST 30MT D. 4	1,00		
0011	MEBE22173		COIL DLT 24-50	1,00		
0012	RCVR00573		ELBOW 1/4" M/F A10	1,00		
0013	RCDS00626		HOSE FITTING 1/4 M D. 5- 7	1,00		
0014	FSVR15255		CLAMP D. 8-12	2,00		
0015	TBCO06945		L.P. HOSE D. 6-12 10BAR	0,17		
0016	FSVR11197		CLAMP D.I. 11 13315	2,00		
0017	FTCO34840		FUEL FILTER FB 1	1,00		
0018	TBBP34456		L.P. HOSE L= 150 1/4OC.-LIB.	1,00		
0019	VTRS12821		WASHER D.14X21,5X1	4,00		
0020	RCDS01371		SCREW G 3/8 A.P.	2,00		
0021	RCVR02607		REDUCTION 3/8-1/4 M/F	1,00	02/2002	
0021	RCVR38072		REDUCTION 3/8-1/4 M/F A4/Z SKD.F	1,00	02/2002	
0022	FTCO30578		FUEL FILTER 3/8 0.1-SP	1,00		
0023	TBBP34457		L.P. HOSE L=1570 1/4OC.-LIB.	1,00		
0024	RCDS20136		SUCTION L= 355 C.	1,00		
0025	MECB18118		CABLE DLT L=1.600	1,00		
9999	FTCO17886		FILTER VM1 RL2	1,00		
9999	GUVR02546		GASKET COVER	1,00		



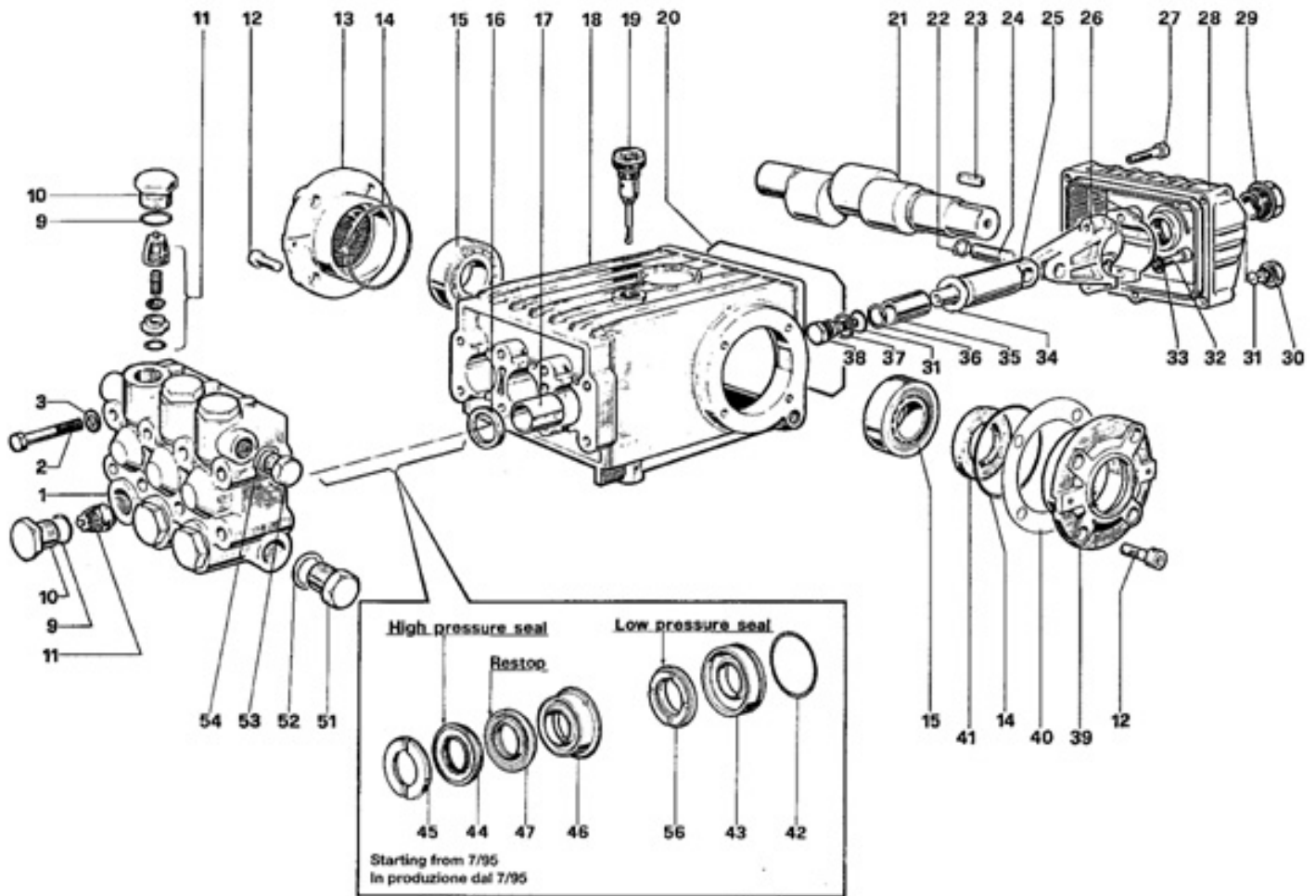
Ref.	K	Part N.	Customer Part N.	Description	Qty	Validity:	
						From	To
K		METT41888		CONTACT SIE N.A. 3RH19 21-1EA11	1,00		
K		METT45025		CONTACTOR SIE 3RT 1024 1AC20 24V	1,00		
P		MEPF39902		PRESSURE SWITCHMTM 1/4M NA/NC 25B. MICRO	1,00		
S		MEPF17533		PRESSURE SWITCHST 261 N.C.	1,00		
T		METY33753		TIMER 3 S. MST 24V	1,00		
EC		MECE40708		PCB MISTRAL PR.II T-ST/MP/LIV	1,00		12/2002
EC		MECE45448		PCB P105 T-ST/MP/LIV. STOP30'	1,00	12/2002	
EV		MEBE22173		COIL DLT 24-50	1,00		
F1		MEVR09010		FUSE 5X20 0,5A	1,00		
F2		MEVR00237		FUSE 5X20 3,15A	1,00		
F3		MEVR02824		FUSE 5X20 1A	1,00		
G1		MECI34446		SWITCH REED N.A.H115	1,00		
G2		MECI34444		SWITCH REED N.C.H185 L=1300	1,00		
IG		MECI40544		COMMUTAT.SWITCH0-1-2 HD12H022-R000	1,00		
LC		MECE34831		FILTER LC F.AH.DA.3100ZF 6.5A	1,00		
PA		MEPD25575		DESCALING PUMP NME-1 24V CPL.	1,00		
RT		METT45026		THERMAL RELAY SIE 3RU1126-4AB0 11-16 A	1,00		
TA		METR34824		TRANSFORMER 230V-60HZ 2X4000V SP4 CM	1,00		
TH		METK19354		THERMOSTAT 0-150° L=1200	1,00		
TR		METR34273		TRANSFORMER 45VA 220-380/24V 50/60HZ	1,00		
TS		METK34839		THERMOSTAT 50°C TR/711-N C.1.5	1,00		
CV1		MECB17414		CABLE H07 RNF 4X2.5 L=6.500	1,00		



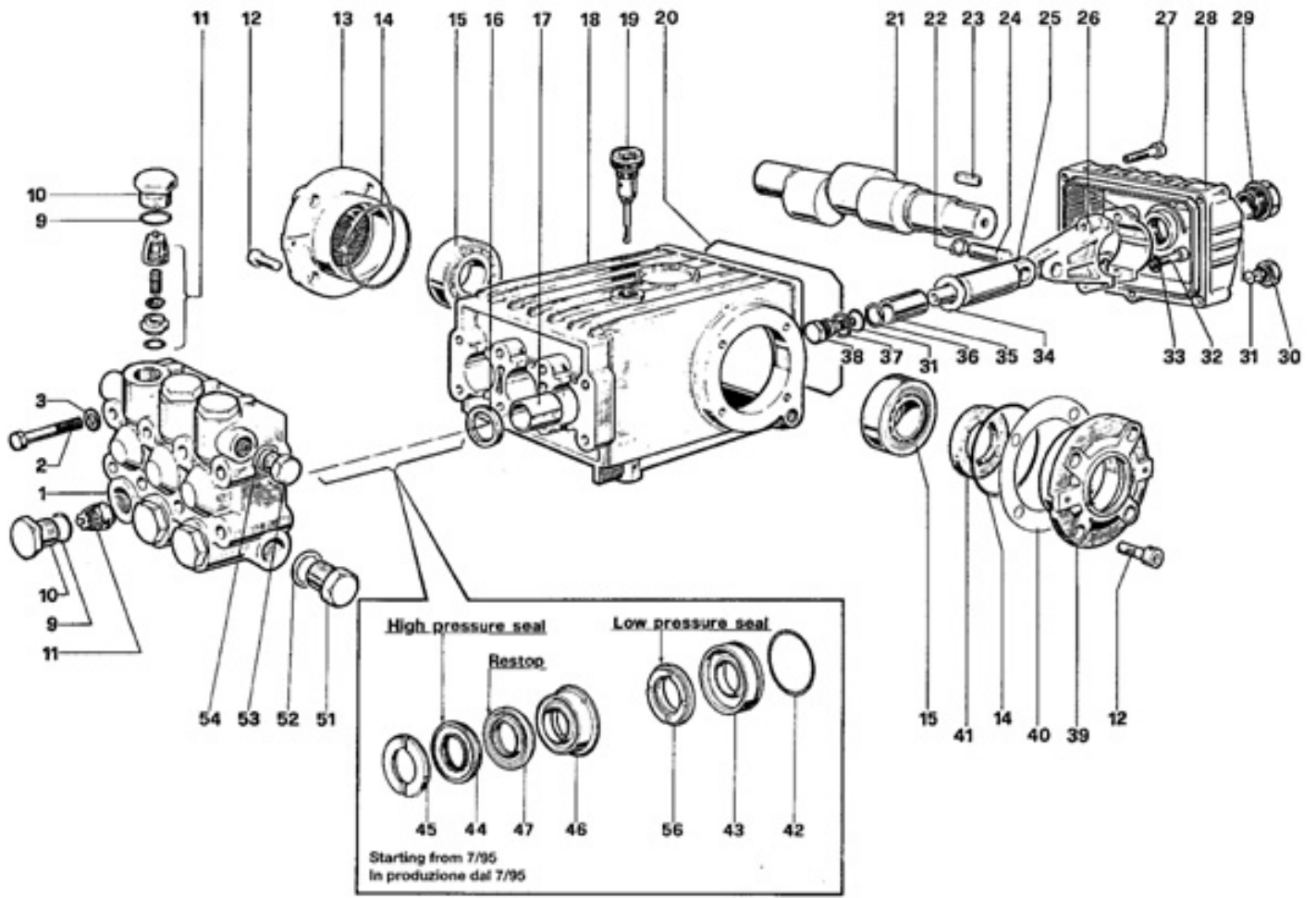
Ref. K	Part N.	Customer Part N.	Description	Qty	Validity:	
					From	To
0001	PVVR08141		BODY ST 2000	1,00		
0002	PVVR08142		COVER ST 2000	1,00		
0003	KTRI10689		KIT P 26- 1	1,00		
0004	RCDS08145		CAP G 1/8" OT	1,00		
0005	PVVR08146		BRASS HOUSING ST 2000	1,00		
0006	VTVT28553		SCREW TCB-TC 3.5X16	2,00		
0007	PVVR29763		TUBE G 1/4" +RCC 3/8"	1,00		
0008	PVVR08147		CONNECTOR 1/4 ST 2000	1,00		
0009	PVVR08149		PIN	1,00		
0010	PVVR08143		TRIGGER	1,00		



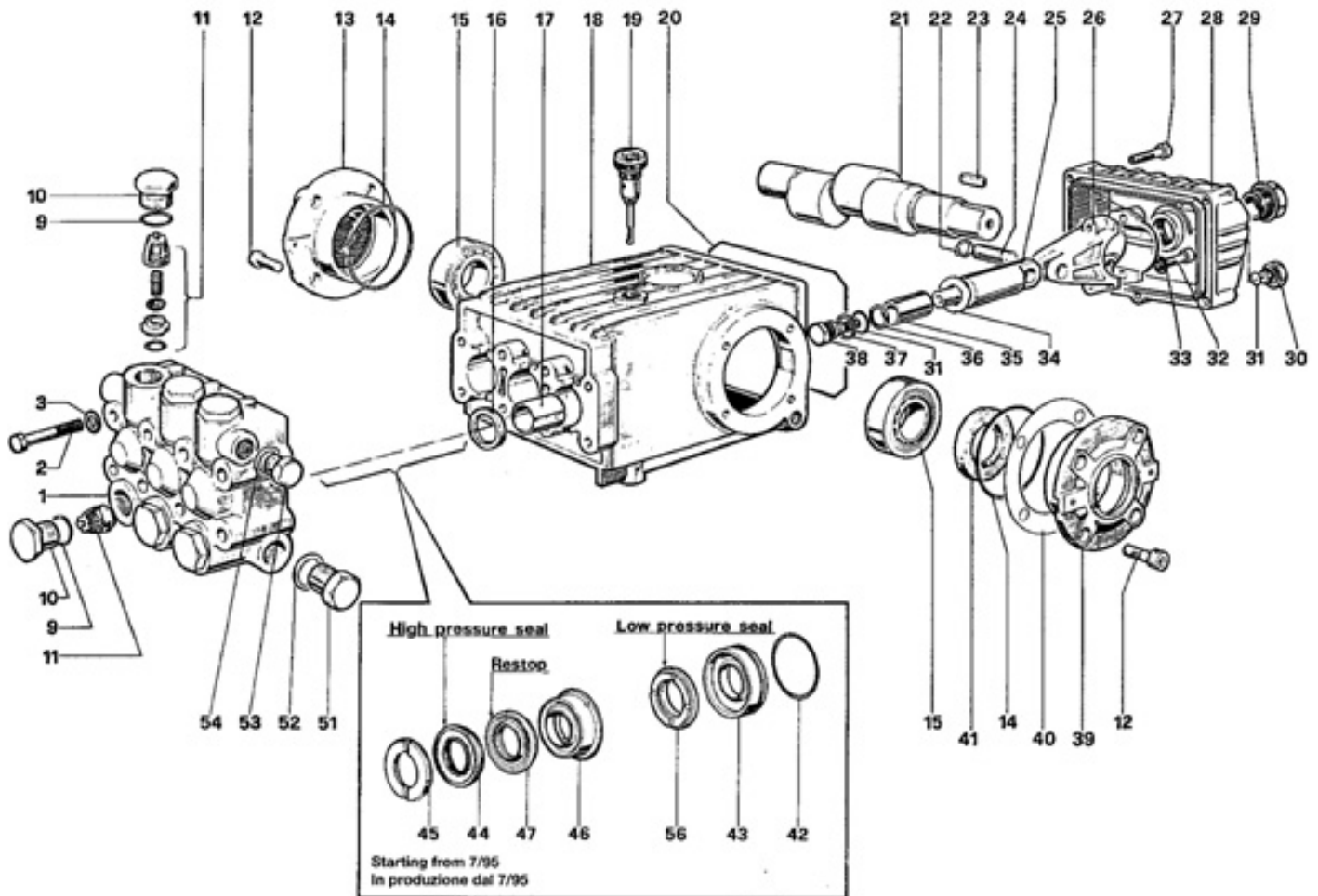
Ref.	K	Part N.	Customer Part N.	Description	Qty	Validity:	
						From	To
0001		MFVR01097		HEAD W 151	1,00		
0002		VTVT01111		SCREW TE M 8X70 UNI 5737	8,00		
0003		VTRS01072		WASHER D. 8 TC	8,00		
0009	S	GUGO01033		O-RING D. 20.24 X 2.62 NBR 90SH	6,00		
0010	S	RCDS01087		CAP M24X2X16 OTT	6,00		
0011	S	VVAM01104		VALVE UNIT W 70-151	6,00		
0012		VTVT01118		SCREW TCEI 8X16	8,00		
0013		MFVR03576		CRANKASE COVER W151	1,00		
0014		GUGO01041		O-RING D. 67.95 X 2.62 NBR 70SH	2,00		
0015		CUVR09205		ROLLER BEARING 32206 A	2,00		
0016	S	GUGO01000		OIL SEAL 22X 32X 5.5 NBR70	3,00		
0017		PVVR01011		BUSHING W 151	3,00		
0018		MFVR01013		PUMP CRANKCASE W 151	1,00		
0019		PVVR01092		OIL DIPSTICK W 151	1,00		
0020		GUGO34590		O-RING D. 133.02 X 2.62 NBR 70SH	1,00		
0021		ALMO44259		SHAFT W 913 USA	1,00		
0022		VTAE14016		CIRCLIP D. 12 UNI 7435	6,00		
0023		VTVR41531		KEY 8X 7X35 UNI 6604A	1,00		
0024		PVVR01085		GUDGEON D.13X35 W151	3,00		
0025		PVVR09306		PISTON GUIDE W 913	3,00		
0026		BLVR01009		CONNECTING ROD W 151	3,00		
0027		VTVT01114		SCREW TCEI 6X14 UNI 5931	5,00		
0028		MFVR10268		CRANKASE COVER W101 POS	1,00		
0029		PVVR01083		OIL INDICATOR G 3/4 W70-151	1,00		
0030		RCDS01088		CAP 1/4X 9 M WW90	1,00		
0031	S	GUGO01036		O-RING D. 10.82 X 1.78 NBR 70SH	4,00		
0032		VTVT01120		SCREW TCEI 8X35 UNI5931	6,00		
0033		VTRS14242		WASHER D. 8.4X13X0.8 UNI7064 SCH	6,00		
0034	S	VTRS01753		WASHER D.14X28 X0,5	3,00		
0035		PIVR01066		PISTON D.20X50 W 151	3,00		
0036	S	GUVR00994		ANTI-EXTR.RING W151	3,00		
0037	S	VTRS01076		WASHER D.14X18,5X0,5	3,00		
0038	S	PVVR01107		PISTON BOLT IP W151	3,00		
0039		MFVR03583		CRANKASE COVER W151	1,00		
0040		PVVR01016		THICKNESS 0,1 W 151	2,00		
0041	S	GUGO01003		OIL SEAL 30X 55X 7 NBR70	1,00		
0042	S	GUGO01042		O-RING D. 34.6 X 1.78 NBR 70SH	3,00		
0043	S	PVVR00977		PACKING RETAIN.W151	3,00		
0044	S	GUVR00981		PACKING W151	6,00		



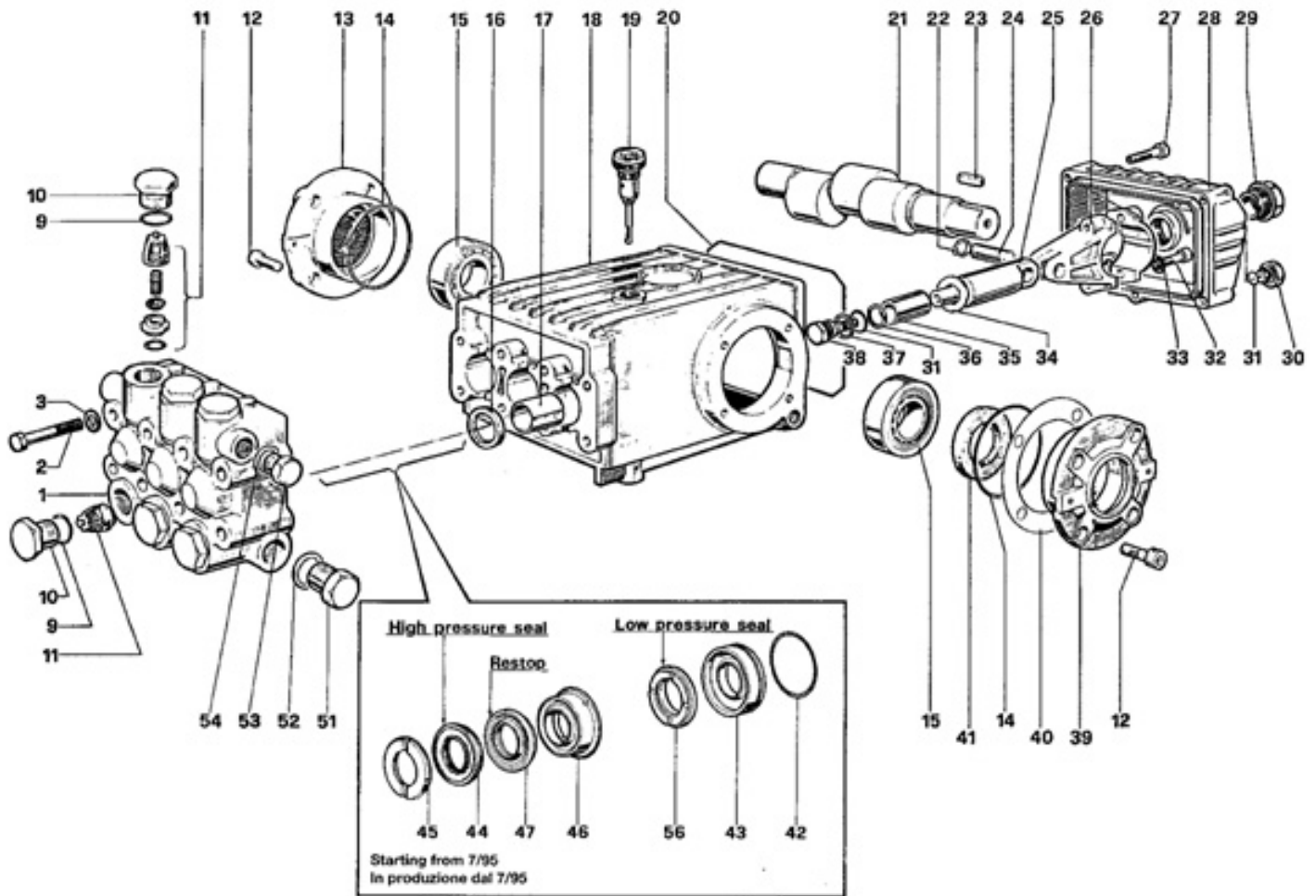
Ref.	K	Part N.	Customer Part N.	Description	Qty	Validity:	
						From	To
0045	S	PVVR00985		HEAD RING W151	6,00		
0046	S	PVVR34589		INTERMED. RING W 151 D. 20	3,00		
0047	S	GUVR34587		PACKING D. 20 RESTOP	3,00		
0051		RCDS01091		CAP 1/2X10 M	1,00		
0052		VTRS01075		WASHER D.21,5X27 ALL	1,00		
0053		RCDS01090		CAP 3/8X13 M WW90	1,00		
0054		VTRS01074		WASHER D.17,5X23 X1,5	1,00		
0056	S	GUVR34585		PACKING W 151 L.P.	3,00		



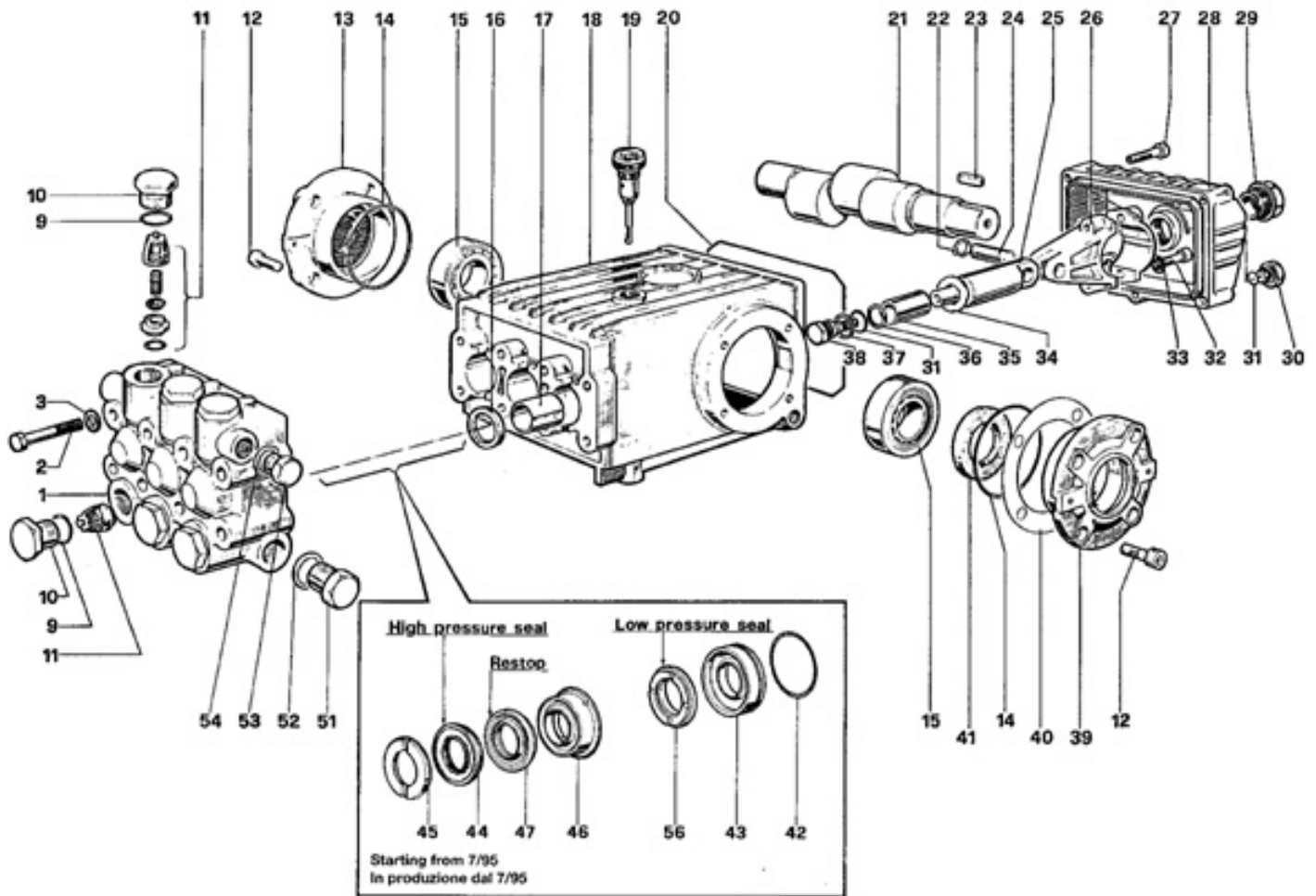
Ref. Part N.	Cust. Part N.	Description	Reference
KTRI14900	KIT P	15- 3	0041
KTRI14901	KIT P	10	0042 0043
KTRI17793	KIT P	6	0031 0034 0036 0037 0038
KTRI17795	KIT P	4	0009 0010
KTRI17859	KIT P	1	0011
KTRI17860	KIT P	2	0016
KTRI18574	KIT P	7	0045
KTRI18579	KIT P	28	0042 0043 0044 0045 0046 0047 0056



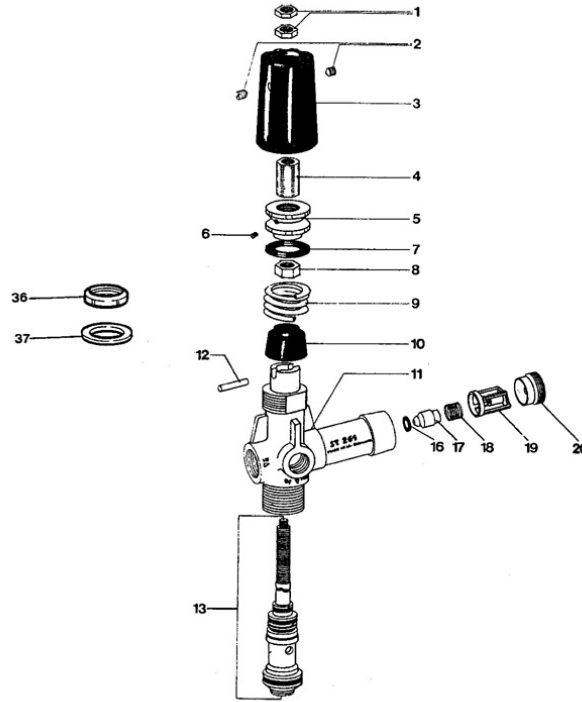
Ref.	K	Part N.	Customer Part N.	Description	Qty	Validity:	
						From	To
0001		MFVR01098		HEAD W 201	1,00		
0002		VTVT01111		SCREW TE M 8X70 UNI 5737	8,00		
0003		VTRS01072		WASHER D. 8 TC	8,00		
0009	S	GUGO01033		O-RING D. 20.24 X 2.62 NBR 90SH	6,00		
0010	S	RCDS03585		CAP M24X2X16 W201	6,00		
0011	S	VVAM01104		VALVE UNIT W 70-151	6,00		
0012		VTVT01118		SCREW TCEI 8X16	8,00		
0013		MFVR03576		CRANKASE COVER W151	1,00		
0014		GUGO01041		O-RING D. 67.95 X 2.62 NBR 70SH	2,00		
0015		CUVR09205		ROLLER BEARING 32206 A	2,00		
0016	S	GUGO01000		OIL SEAL 22X 32X 5.5 NBR70	3,00		
0017		PVVR01011		BUSHING W 151	3,00		
0018		MFVR09204		PUMP CRANKCASE WS202	1,00		
0019		PVVR01092		OIL DIPSTICK W 151	1,00		
0020		GUVR01027		GASKET COVER W 151	1,00		
0021		ALMO44259		SHAFT W 913 USA	1,00		
0022		VTAE14016		CIRCLIP D. 12 UNI 7435	6,00		
0023		VTVR41531		KEY 8X 7X35 UNI 6604A	1,00		
0024		PVVR01085		GUDGEON D.13X35 W151	3,00		
0025		PVVR15130		PISTON GUIDE WS201	3,00		
0026		BLVR01009		CONNECTING ROD W 151	3,00		
0027		VTVT01116		SCREW TCEI 6X30 UNI5931	5,00		
0028		MFVR03582		CRANKASE COVER W 151 POS	1,00		
0029		PVVR01083		OIL INDICATOR G 3/4 W70-151	1,00		
0030		RCDS01088		CAP 1/4X 9 M WW90	1,00		
0031	S	GUGO01036		O-RING D. 10.82 X 1.78 NBR 70SH	4,00		
0032		VTVT01120		SCREW TCEI 8X35 UNI5931	6,00		
0033		VTRS14242		WASHER D. 8.4X13X0.8 UNI7064 SCH	6,00		
0034	S	VTRS01753		WASHER D.14X28 X0,5	3,00		
0035		PIVR01066		PISTON D.20X50 W 151	3,00		
0036	S	GUVR00994		ANTI-EXTR.RING W151	3,00		
0037	S	VTRS01076		WASHER D.14X18,5X0,5	3,00		
0038	S	PVVR01107		PISTON BOLT IP W151	3,00		
0039		MFVR03583		CRANKASE COVER W151	1,00		
0040		PVVR01016		THICKNESS 0,1 W 151	2,00		
0041	S	GUGO01003		OIL SEAL 30X 55X 7 NBR70	1,00		
0042	S	GUGO01042		O-RING D. 34.6 X 1.78 NBR 70SH	3,00		
0043	S	PVVR00977		PACKING RETAIN.W151	3,00		
0044	S	GUVR00981		PACKING W151	6,00		



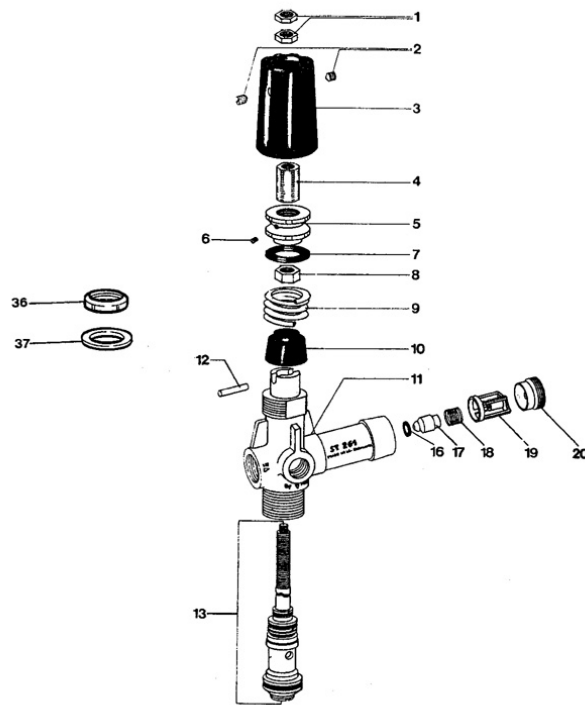
Ref.	K	Part N.	Customer Part N.	Description	Qty	Validity:	
						From	To
0045	S	PVVR00985		HEAD RING W151	6,00		
0046	S	PVVR34589		INTERMED. RING W 151 D. 20	3,00		
0047	S	GUVR34587		PACKING D. 20 RESTOP	3,00		
0051		RCDS01091		CAP 1/2X10 M	1,00		
0052		VTRS01075		WASHER D.21,5X27 ALL	1,00		
0053		RCDS01090		CAP 3/8X13 M WW90	1,00		
0054		VTRS01074		WASHER D.17,5X23 X1,5	1,00		
0056	S	GUVR34585		PACKING W 151 L.P.	3,00		



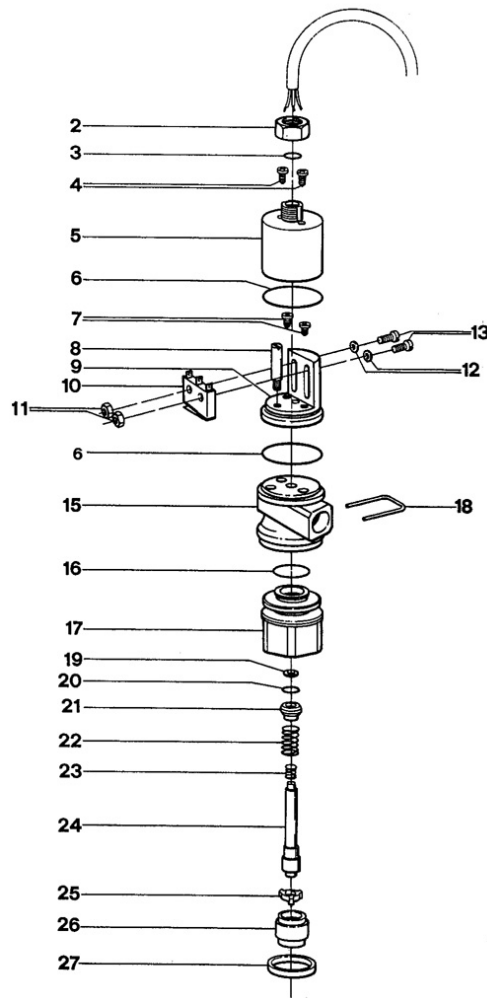
Ref. Part N.	Cust. Part N.	Description	Reference
KTRI14900	KIT P	15- 3	0041
KTRI14901	KIT P	10	0042 0043
KTRI17793	KIT P	6	0031 0034 0036 0037 0038
KTRI17796	KIT P	5	0009 0010
KTRI17859	KIT P	1	0011
KTRI17860	KIT P	2	0016
KTRI18574	KIT P	7	0045
KTRI18579	KIT P	28	0042 0043 0044 0045 0046 0047 0056



Ref. K	Part N.	Customer Part N.	Description	Qty	Validity:	
					From	To
0001	VTDD14926		NUT M6X1 UNI5589	2,00		
0002	VTVT08589		SCREW EI-ST 5X 6	2,00		
0003	MPVR09436		BLACK KNOB ST 260	1,00		
0004	PVVR14933		SCREW	1,00		
0005	VTVT14927		SCREW	1,00		
0006	VTVT14925		SCREW EI-ST 5X 6 UNI5929	2,00		
0007	GUVR14928		RING	1,00		
0008	VTDD14930		NUT M8X1 UNI5588	1,00		
0009	MLML14929		SPRING D.18X4X28	1,00		
0010	PVVR16955		SPRING SEAT ST	1,00		
0011	PVVR16956		VALVE BODY ST 261	1,00		
0012	PVVR16957		PIN D. 3X13 ST	1,00		
0013	KTRI16958		KIT P 14- 20	1,00		
0016	S GUGO10373		O-RING D. 5 X 2.5 VIT 80SH	1,00		
0017	S PVVR08615		VALVE PART	1,00		
0018	S MLML08616		SPRING	1,00		
0019	S PVVR08617		VALVE CAGE	1,00		
0020	PVVR08618		NUT	1,00		
0036	PVVR10580		NUT	1,00		
0037	VTRS17544		WASHER D.30X41.5X2 ST	1,00		



Ref. Part N.	Cust. Part N.	Description	Reference
KTRI14653		KIT P 14- 4	0016 0017 0018 0019



Ref. K	Part N.	Customer Part N.	Description	Qty	Validity:	
					From	To
0002	VTDD08624		NUT ST 260	1,00		
0003	GUGO10373		O-RING D. 5 X 2.5 VIT 80SH	1,00		
0004	VTVT08630		SCREW TCB 2,9 X 9,5	2,00		
0005	PVVR08628		COVERING ST 260 S	1,00		
0006	GUGO08629		O-RING D. 24 X 1.5 NBR 70SH	2,00		
0007	VTVT08630		SCREW TCB 2,9 X 9,5	2,00		
0008	PVVR08631		NUT	1,00		
0009	PVVR08632		COVERING ST 260 M	1,00		
0011	VTDD08634		NUT	1,00		
0012	VTRS13332		WASHER OTT	2,00		
0013	VTVT08643		SCREW	2,00		
0015	PVVR17568		BODY SW 261	1,00		
0016	GUGO08609		O-RING D. 15 X 1.5 EPDM70SH	1,00		
0017	PVVR17569		BODY SW 261	1,00		
0018	VTVR17570		PLUG ST	1,00		
0019	GUVR13333		ANTI-EXTR.RING	1,00		
0020	GUGO07014		O-RING D. 3.3 X 2.4 EPDM80SH	1,00		
0021	PVVR13334		SPACER OTT	1,00		
0022	MLML13335		SPRING	1,00		
0023	MLML08639		SPRING	1,00		
0024	PVVR17571		ROD ST 261	1,00		
0025	PVVR08641		PIN GUIDE	1,00		
0026	PVVR17572		SPACER ST	1,00		
0027	VTRS17573		WASHER ST	1,00		